



## LPG COUNTERBALANCED TRUCKS

**CAPACITY: 5,000 – 6,500 lbs.**

**HT25CT - HT32CT**

**SERIES 1319**

### Safety

This line of trucks is designed for the demanding conditions of the Class 4 market. The low-mounted propane tank and dashboard, combined with a clearview mast (peripheral view) increase all-around visibility. This, together with low noise level and simple operation allow operators to stay alert and maintain unparalleled awareness of their surroundings.

### Performance

With its impressive performance, the truck still maintains low fuel consumption and low exhaust emissions. Advanced engine technology combined with the durable drive line, enable the operator to use the truck's capability to maximize productivity. The ergonomic layout of all hydraulic functions allow for a high level of precision control and working performance.

### Comfort

Climb on board relaxed, finish the shift relaxed. This truck is designed to the most advanced ergonomic standards. A spacious cab interior with accessibility from both sides of the truck, cowl-mounted hydraulic controls, suspension seat, and functional positioning of easy-actuation controls make for a low-stress working environment.

### Reliability/Durability

This machine withstands the most brutal conditions in severe applications thanks to our time-tested engineering, design and manufacturing expertise. Its massive components are designed to operate in adverse conditions and can handle intense utilization with minimum care.

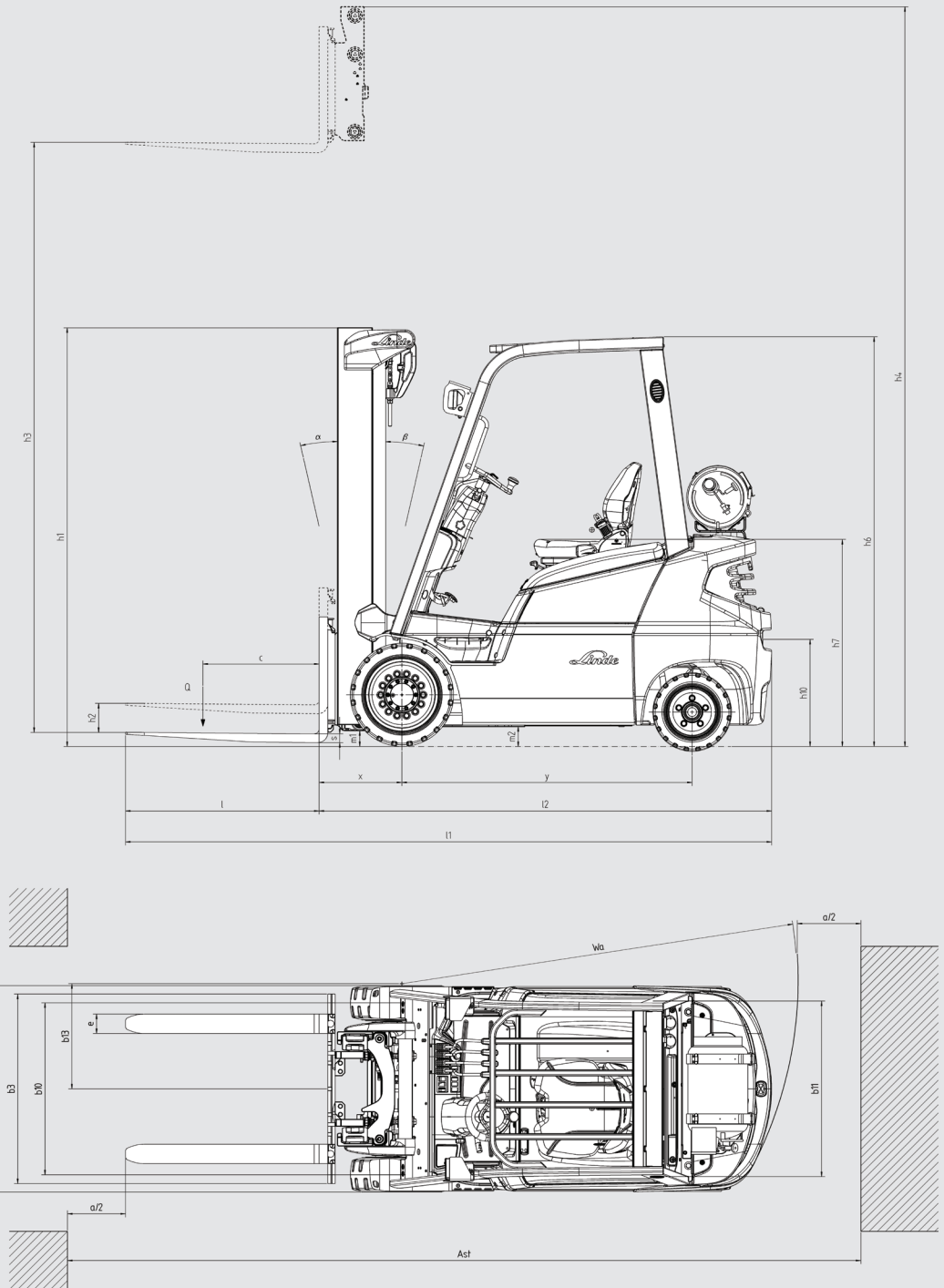
### Productivity

The use of high-quality parts and assemblies allow extended maintenance intervals. At 500 hours, this is among the best in the industry. Confidence in the quality of the machine also allows us to offer an unmatched, standard 2-year or 4000-hour warranty.

# TECHNICAL DATA

June 2017 / Series 1319

		LINDE		LINDE		LINDE		LINDE			
		HT25 CT	HT27 CT	HT30 CT	HT32 CT						
Characteristics	1.1	Manufacturer	LINDE		LINDE		LINDE		LINDE		
	1.2	Model designation	HT25 CT		HT27 CT		HT30 CT		HT32 CT		
	1.3	Power unit	LPG		LPG		LPG		LPG		
	1.4	Operation	Seated		Seated		Seated		Seated		
	1.5	Load capacity	Q	5000 lbs / 2273 kg	5500 lbs / 2500 kg	6000 lbs / 2727 kg	6500 lbs / 2955 kg				
	1.6	Load center	c	24 in / 600 mm	24 in / 600 mm	24 in / 600 mm	24 in / 600 mm				
	1.8	Axle center to fork face	x	16.6 in / 423 mm	16.6 in / 423 mm	16.9 in / 428 mm	16.9 in / 428 mm				
	1.9	Wheelbase	y	59.1 in / 1500 mm	59.1 in / 1500 mm	59.1 in / 1500 mm	59.1 in / 1500 mm				
	Weights	2.1	Service weight	9215 lbs / 4180 kg	9523 lbs / 4320 kg	10097 lbs / 4580 kg	10207 lbs / 4630 kg				
2.2.1		Axle load with load, front	12323 lbs / 5590 kg	13040 lbs / 5915 kg	14014 lbs / 6357 kg	14594 lbs / 6620 kg					
2.2.2		Axle load with load, rear	1902 lbs / 863 kg	1984 lbs / 900 kg	2094 lbs / 950 kg	2127 lbs / 965 kg					
2.3.1		Axle load without load, front	3747 lbs / 1700 kg	3703 lbs / 1680 kg	3703 lbs / 1680 kg	3637 lbs / 1650 kg					
2.3.2		Axle load without load, rear	5467 lbs / 2480 kg	5820 lbs / 2640 kg	6393 lbs / 2900 kg	6569 lbs / 2980 kg					
Wheels/Tires	3.1	Tire: SE=(superelastic), P=(pneumatic), C=(cushion)	C		C		C		C		
	3.2	Tire size, front	21x7x15		21x8x15		21x8x15		21x8x15		
	3.3	Tire size, rear	16x6x10.5		16x6x10.5		16x6x10.5		16x6x10.5		
	3.5	Wheels, number front/rear (x=drive)	2x/2		2x/2		2x/2		2x/2		
	3.6	Track width, front	b10	34.7 in / 882 mm	35.7 in / 908 mm	35.7 in / 908 mm	35.7 in / 908 mm				
	3.7	Track width, rear	b11	35.8 in / 910 mm	35.8 in / 910 mm	35.8 in / 910 mm	35.8 in / 910 mm				
	Dimensions	4.1	Mast tilt, forward/backward	6°/8°		6°/8°		6°/8°		6°/8°	
4.2		Height of mast, lowered	h1	see chart & price pages		see chart & price pages		see chart & price pages		see chart & price pages	
4.3		Free lift	h5	see chart & price pages		see chart & price pages		see chart & price pages		see chart & price pages	
4.4		Lift	h3	see chart & price pages		see chart & price pages		see chart & price pages		see chart & price pages	
4.5		Height of mast, extended	h4	see chart & price pages		see chart & price pages		see chart & price pages		see chart & price pages	
4.7		Height of overhead guard (cabin)	h6	83.9 in / 2130 mm	83.9 in / 2130 mm	83.9 in / 2130 mm	83.9 in / 2130 mm				
4.8		Height of operator seat	h7	41.2 in / 1046 mm	41.2 in / 1046 mm	41.2 in / 1046 mm	41.2 in / 1046 mm				
4.12		Tow coupling height	h10	22.1 in / 560 mm	22.1 in / 560 mm	22.1 in / 560 mm	22.1 in / 560 mm				
4.19		Overall length	l1	133.9 in / 3401 mm	135.3 in / 3437 mm	137.1 in / 3483 mm	138.1 in / 3506 mm				
4.20		Length to fork face	l2	91.9 in / 2334 mm	93.3 in / 2370 mm	95.1 in / 2416 mm	96.0 in / 2439 mm				
4.21		Overall width	b1/b2	41.8 in / 1061 mm	43.7 in / 1110 mm	43.7 in / 1110 mm	43.7 in / 1110 mm				
4.22		Fork dimensions	SxExL	1.5 x 4 x 48 in		1.5 x 4 x 48 in		1.75 x 5 x 48 in		1.75 x 5 x 48 in	
4.24		Width of fork carriage	b3	38.6 in / 980 mm	38.6 in / 980 mm	38.6 in / 980 mm	38.6 in / 980 mm				
4.31		Ground clearance with load, mast	m1	3.86 in / 98 mm	3.86 in / 98 mm	3.86 in / 98 mm	3.86 in / 98 mm				
4.32		Ground clearance with load, center of wheelbase	m2	4.4 in / 110 mm	4.4 in / 110 mm	4.4 in / 110 mm	4.4 in / 110 mm				
4.33		Aisle width, 48" (1220mm) load & 8" (200mm) clearance	Ast	154.3 in / 3920 mm	156.7 in / 3980 mm	157.1 in / 3990 mm	159.5 in / 4050 mm				
4.34	Aisle width, add load & operational clearance	Ast	98.4 in / 2500 mm	100.6 in / 2555 mm	101.0 in / 2565 mm	103.5 in / 2630 mm					
4.35	Turning radius	Wa	81.7 in / 2076 mm	83.9 in / 2130 mm	84.1 in / 2136 mm	86.6 in / 2200 mm					
4.36	Inside Turning Radius	b13	21.9 in / 556 mm	21.9 in / 556 mm	21.9 in / 556 mm	21.9 in / 556 mm					
Performance	5.1.1	Travel speed, with load	11.25 mph / 18 kmh	11.25 mph / 18 kmh	11.25 mph / 18 kmh	11.25 mph / 18 kmh					
	5.1.2	Travel speed, without load	11.25 mph / 18 kmh	11.25 mph / 18 kmh	11.25 mph / 18 kmh	11.25 mph / 18 kmh					
	5.2.1	Lifting speed, with load	114 fpm / 0.58 m/s	114 fpm / 0.58 m/s	110 fpm / 0.56 m/s	110 fpm / 0.56 m/s					
	5.2.2	Lifting speed, without load	118 fpm / 0.6 m/s	118 fpm / 0.6 m/s	118 fm / 0.6 m/s	118 fpm / 0.6 m/s					
	5.3.1	Lowering speed, with load	90 fpm / 0.46 m/s	94 fpm / 0.48 m/s	94 fpm / 0.48 m/s	94 fpm / 0.48 m/s					
	5.3.2	Lowering speed, without load	67 fpm / 0.34 m/s	67 fpm / 0.34 m/s	78 fpm / 0.4 m/s	78 fpm / 0.4 m/s					
	5.5.1	Tractive force, with load	3596 lbf / 16000 N	3507 lbf / 15600 N	3304 lbf / 14700 N	3686 lbf / 16400 N					
	5.5.2	Tractive force, without load	2180 lbf / 9700 N	2877 lbf / 12800 N	2472 lbf / 11000 N	2472 lbf / 11000 N					
	5.7.1	Climbing ability, with load	26.2 %	24 %	21 %	22.6 %					
	5.7.2	Climbing ability, without load	24.4 %	31.6 %	25.3 %	25 %					
5.9.1	Acceleration time, with load	4.8 s	4.8 s	5.6 s	5.7 s						
5.9.2	Acceleration time, without load	4.3 s	4.5 s	4.8 s	4.9 s						
5.10	Service brake	Mechanical/hydraulic		Mechanical/hydraulic		Mechanical/hydraulic		Mechanical/hydraulic			
Drive	7.1	Engine manufacturer/type	IMPACO/2.5L iVCT		IMPACO/2.5L iVCT		IMPACO/2.5L iVCT		IMPACO/2.5L iVCT		
	7.2	Engine rated power according to ISO 1585	47 kw		47 kw		47 kw		47 kw		
	7.3	Rated speed	800/3000 rpm		800/3000 rpm		800/3000 rpm		800/3000 rpm		
	7.4	Number of cylinders/displacement	4/152.6 cu3 / 4/2500 cc	4/152.6 cu3 / 4/2500 cc	4/152.6 cu3 / 4/2500 cc	4/152.6 cu3 / 4/2500 cc					
Other	8.1	Type of drive control	Torque Converter		Torque Converter		Torque Converter		Torque Converter		
	8.2	Working pressure for attachments	2600 psi / 180 bar	2600 psi / 180 bar	2600 psi / 180 bar	2600 psi / 180 bar					
	8.3	Hydraulic oil flow	18 gpm / 70 l/min	18 gpm / 70 l/min	18 gpm / 70 l/min	18 gpm / 70 l/min					
	8.4	Noise level	80 dB (A)		80 dB (A)		80 dB (A)		80 dB (A)		



# FEATURES

## Linde Torque Converter Truck

- > Robust
- > Responsive
- > Low maintenance



## Rugged Drive Line

- > Massive differential
- > High-torque transmission
- > Wet disc brakes



## Linde Clearview Mast

- > Best peripheral view
- > Least obstructive hose routing
- > Bulkhead hose connection



## Engine

- > 500-hour maintenance interval
- > Fuel injected
- > 2.5 liter, high-torque engine



## Truck Control

- > Two pedal system, inching & brake
- > Foot operated parking brake
- > Exceptionally responsive steering

## Linde Hydraulic System

- > Cowl-mounted hydraulic handles
- > Short linkage, precise control
- > High oil volume

## Linde Operator Compartment

- > Generous leg room
- > On/Off both sides
- > Best all-around view

For more information on Linde material handling equipment, please contact:

KION North America Corporation  
2450 West 5th North Street, Summerville, SC 29483  
Phone: (843) 875-8000 Truck Sales Fax: (843) 875-8471  
E-mail: [trucksales.na@kiongroup.com](mailto:trucksales.na@kiongroup.com)  
[www.kion-na.com](http://www.kion-na.com)