



Low-Profile Semi-Automatic Stretch Wrap Machine

**HANDLE-IT® SA Series**

# Model 600

**Full Set of Functions  
and Options**

**Mechanical Film  
Tension**

**20 Max Average  
Pallets Per Day!**



**3 YEAR  
WARRANTY**

## Handle-It® Model 600

The Handle-It® Model 600 offers top-of-the-line functions and features at a great price. It is ideal for those who are making the transition from hand wrapping to machine wrapping. Great for low to moderate volumes of pallets per day.

### Technical Specifications

Wrap Height	86"
Turntable Diameter	59"
Max Pallet Size	48" x 70" (85" diagonal)
Turntable Height	3"
Weight Capacity	<b>2,600 lbs</b>
Mechanical Film Tension	Variable
Power Supply	110V, 10 Amp
Total Machine Footprint	93" Long x 60" Wide
Turntable Speed	12 RPM

# Handle-It®

## Semi-Automatic Stretch Wrapper

### Product Specifications

- Frequency controller for turntable speed adjustment (from 3-12 RPM)
- Frequency controller for carriage speed adjustment (Speed going up and speed going down can be set differently)
- Mechanical brake for film stretching
- Photo eye for pallet height detection with photo eye delay
- Safety stop at the base of the carriage
- Stop at home position
- 2 access keys (including lock mode)
- 3 saved programmable cycles
- 2 working cycles: up and down; only up
- Acoustic warning at the cycle beginning and end
- 3 year warranty



**Easy to use control panel**



**Easy film threading**  
with mechanical film tension



**Powered carriage tower**  
with photo eye

### Available Options

- Integrated Scale
- Loading Ramp
- Photocell for Dark Loads
- Forklift wheel stop
- Guarding



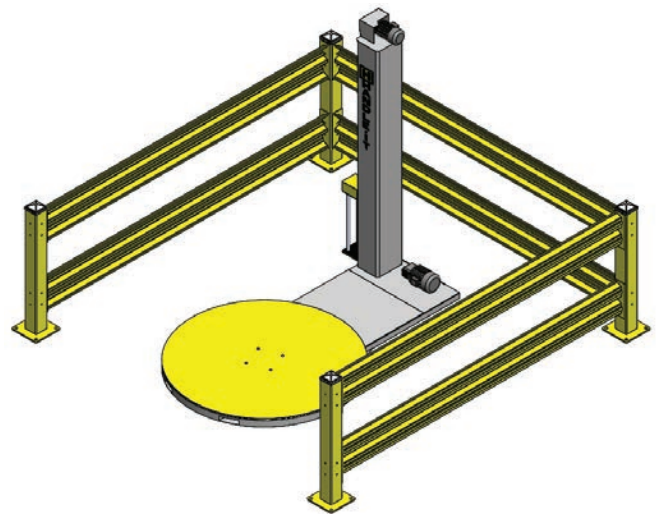
**Integrated Scale**



**Forklift Wheel Stop**



**Ramp**



**3-Sided Guard Rail Package**