



T15

Electric Walkie Tugger

TOWING CAPACITY

1,500 lbs.

INTEGRAL BATTERY / CHARGER

Maintenance free 50AH batteries with 110V smart charger @10A.

TRAVEL SPEED

Variable from 0 mph to 3.1 mph empty
Variable from 0 mph to 2.8 mph loaded

WEIGHT

215 lbs.

TIRES / CASTERS

DRIVE

(2) 9.8" x 3.3" Pneumatic rubber tires
Stability casters
(2) 3" x 1.3" polyurethane

DRIVE

24-Volt DC 0.5 horsepower
S2 60 minute rated electric drive motor with heavy duty transaxle housing.

BRAKE

Electromagnetic brake.

CONTROLS & FEATURES

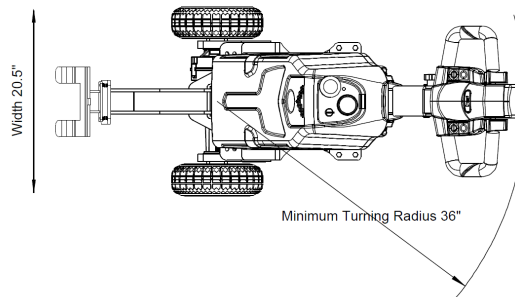
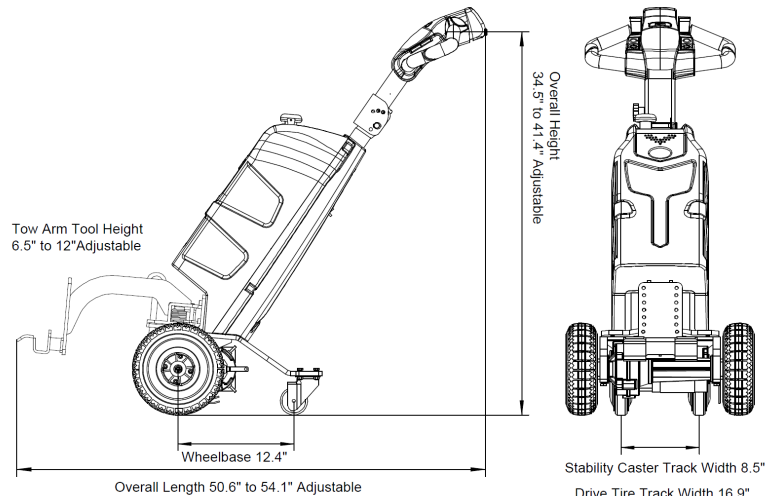
Ergonomic control head with (3) height adjustments accomodates different size operators. Wrap around hand guard, dual butterfly travel controls with infinitely variable forward and reverse travel control, reversing switch, key switch, battery discharge indicator and horn as standard equipment.

180 DEGREE ARTICULATING TOW ARM

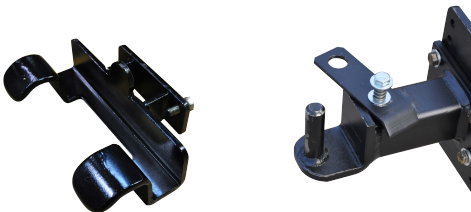
Spring loaded tow arm articulates for easy turning and comes with both a pin style and frame grab tools for easy integration with many common industrial carts.



Improve safety and productivity by reducing the strain involved in the transport of common industrial carts.



Maximum gradeability
7% Loaded
20% Unloaded



Certification

All units are built to be in compliance with the Occupational Safety & Health Act (OSHA)

Big Lift LLC will not assume liability for injuries or damage arising from, or caused by, the removal of any safety devices from their vehicles by user. Because of Big Lift continuing to improve products, specifications are subject to change without notice.

© Copyright 2019, Big Lift LLC Printed USA 0210



Big Lift LLC
www.bigjioforklifts.com
630-916-2600



T40

Electric Walkie Tugger

Improve safety and productivity by reducing the strain involved in the transport of common industrial carts.

TOWING CAPACITY
4,000 lbs.

EASY EXCHANGE Lithium Battery System
24v 20AH battery fits into on-board dock and external 110V 10A charger.

TRAVEL SPEED
Variable from 0 mph to 3 mph empty
Variable from 0 mph to 2 mph loaded

WEIGHT
625 lbs.

TIRES / CASTERS
DRIVE
(2) 9.8" x 3.3" Pneumatic rubber tires Stability casters
(2) 3" x 1.3" polyurethane

DRIVE
24-Volt DC 0.5 horsepower
S2 60 minute rated electric drive motor with heavy duty transaxle housing.

BRAKE
Electromagnetic brake.

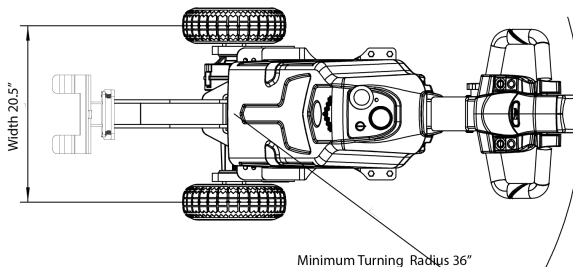
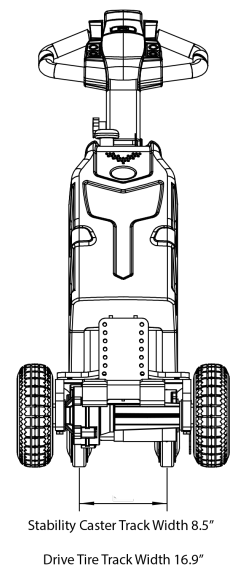
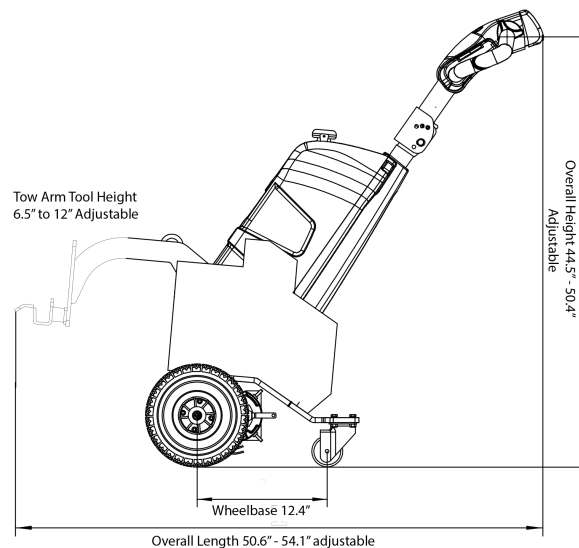
CONTROLS & FEATURES
Ergonomic control head with (3) height adjustments accommodates different size operators. Wrap around hand guard, dual butterfly travel controls with infinitely variable forward and reverse travel control, reversing switch, key switch, battery discharge indicator and horn as standard equipment.

180 DEGREE ARTICULATING TOW ARM
Spring loaded tow arm articulates for easy turning and comes with both a pin style and frame grab tools for easy integration with many common industrial carts.

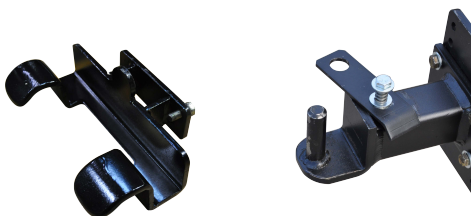


PERFORMANCE
Performance may be reduced depending on the type of cart being towed, cart wheel size and composition, integration of tow arm tools with cart providing adequate weight transfer, and other factors.

DUTY CYCLE
Revolutionary Easy Exchange Battery delivers up to 2 hours of continuous operation and can be fully charged within 2.5 hours. Optional extra batteries can be used to extend run time or to serve as a reliable back-up.



Maximum gradeability
3% Loaded
10% Unloaded



Certification
All units are built to be in compliance with the Occupational Safety & Health Act (OSHA)

Big Lift LLC will not assume liability for injuries or damage arising from, or caused by, the removal of any safety devices from their vehicles by user. Because of Big Lift continuing to improve products, specifications are subject to change without notice.

© Copyright 2019, Big Lift LLC Printed USA 0210