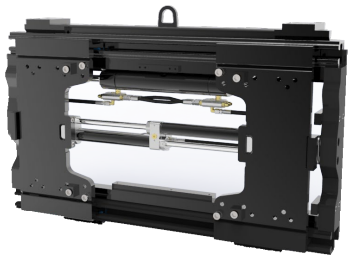




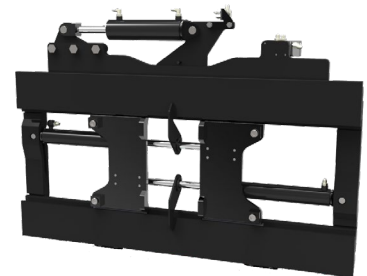
## Fork Positioners



L-SERIES



K-SERIES



F-SERIES

Put a Cascade Fork Positioner To Work For You.

# Ideal for the Majority of Applications

## K-Series Hang-On Fork Positioners

### APPLICATIONS:

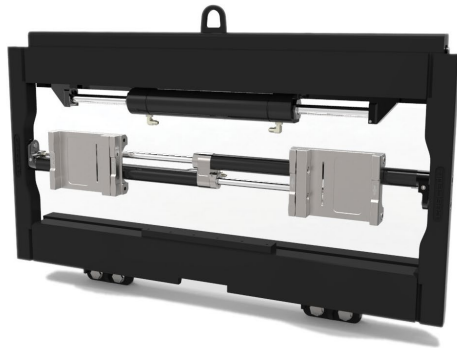
Recommended for trucks in distribution, warehousing and manufacturing applications. These high-visibility Fork Positioners allow the operator to accurately position the forks from the driver's seat to better handle a variety of pallet configurations.

### FEATURES:

- Mounting Class II, III or IV
- 5,500-16,500 lb. capacities
- No-weld installation
- OEM load backrest compatibility
- 3", 4", 5", 6" or 7" wide fork carriers
- Zinc-plated corrosion resistant components
- Forks not included
- Maximum frame width: 55K / 65K = 51"  
100K = 82"  
120K / 165K = 60"  
150K = 94"

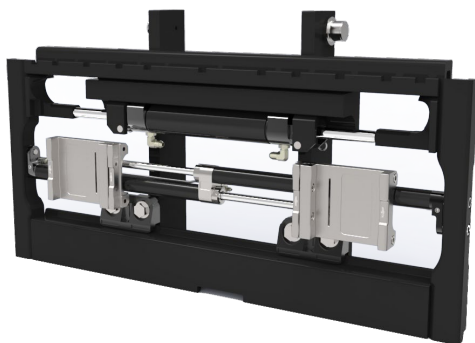
Consult Cascade for applications beyond recommended load limits:

- 55K, 65K, & 100K - forks longer than 96" or load centers exceeding 48"
- 120K, 150K, & 165K - forks longer than 72" or load centers exceeding 36"



## K-Series Integral Fork Positioners

Available through various OEM programs. Contact Cascade.



# Versatile For More Demanding Applications

## L-Series Hang-On Fork Positioners

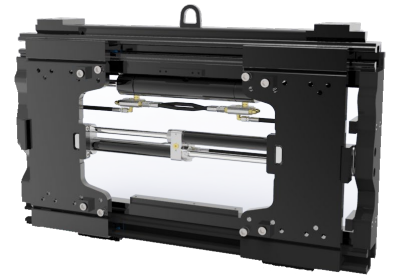
### APPLICATIONS:

Ideal for outdoor applications or in the most rugged and corrosive environments that require long forks or handling materials with extended load centers. Allows drivers to position forks accurately for a variety of load configurations, without ever leaving their seat.

### FEATURES:

- Mounting Class II, III or IV
- 5,500-15,400 lb. capacities
- Fork carriers with easy to service, durable, replaceable bearing segments ensure smooth travel and no wear on the fork hooks.
- Easy to install, full width load backrest
- Excellent operator visibility
- Standard flow divider circuit for equal fork movement
- Unique design and construction allows fork carriers to extend beyond the frame width.
- Adjustable fork carriers accommodate various fork widths (forks not included).

For forks longer than 96", load centers exceeding 48" or to determine which Fork Positioner is best suited for your application, consult Cascade.



## F-Series Hang-On Fork Positioners

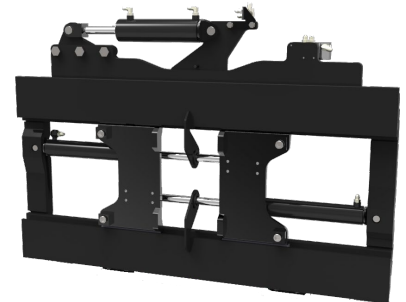
### APPLICATIONS:

For applications in distribution, manufacturing, food processing and outdoor uses. The top mount sideshift cylinder provides good visibility over the top and through the middle for handling a variety of pallet configurations.

### FEATURES:

- Mounting Class II, III and IV
- 5,500, 10,000 and 12,000 lb. capacity.
- No-weld installation
- Adjustable fork pocket widths (forks not included)
- Various fork carriers available
- Maximum frame width:  
5,500 lb. = 61"  
10,000 lb. = 72"  
12,000 lb. = 76"

For forks longer than 60", load centers exceeding 30", or to determine which Fork Positioner is best suited for your application, consult Cascade.



# Pin-Type Forks for Heavy-Duty Applications

## C-Series Hang-On Fork Positioners

### APPLICATIONS:

Perfect for heavy duty applications including automotive, steel, paper, lumber and various outdoor uses.

### FEATURES:

- Mounting Class II, III and IV
- 5,500-15,000 lb. capacities
- No-weld installation
- Forks included
- Various frame widths available



# Wide Opening Applications

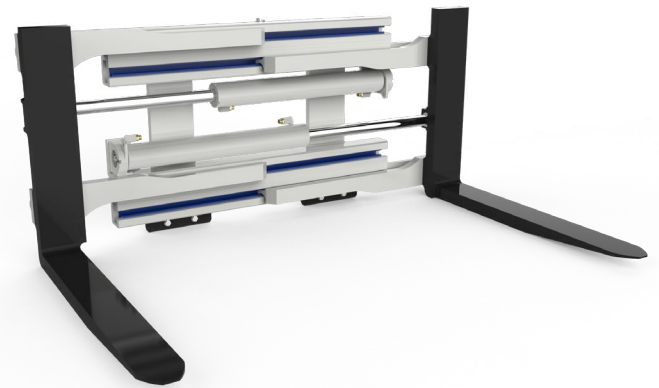
## D and G-Series Hang-On Fork Positioners

### APPLICATIONS:

For applications requiring a wide opening range to handle the load. Unlike conventional fork positioners, these forks extend beyond the frame width.

### FEATURES:

- Mounting Class II, III, IV and bolt-on mounting
- 3,500-20,000 lb. capacities
- No-weld installation
- Forks included



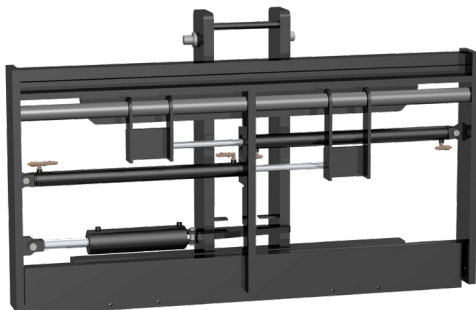
## J-Series Integral Fork Positioners

### APPLICATIONS:

So versatile, it can be used across many industries in a variety of settings, such as food processing, concrete, mining, recycling, gypsum handling, lumber, foundry, automotive, military, aluminum, pipe and stevedoring.

### FEATURES:

- 8,000-36,000 lb. capacities (larger and smaller available by request).
- Easy no-weld installation and serviceability
- Custom designs available
- OEM compatible
- Customizable to accommodate the amount of sidestroke your application requires.
- Available in widths both wider and narrower than OEM carriages.
- Available with all fork types (forks not included).



Cascade Fork Positioners are used in a variety of industries, for any number of applications. The ability to position the forks from the driver's seat, rather than getting off the truck, saves time and reduces product and pallet damage.

Contact Cascade...

Your Fork Positioner Consultant

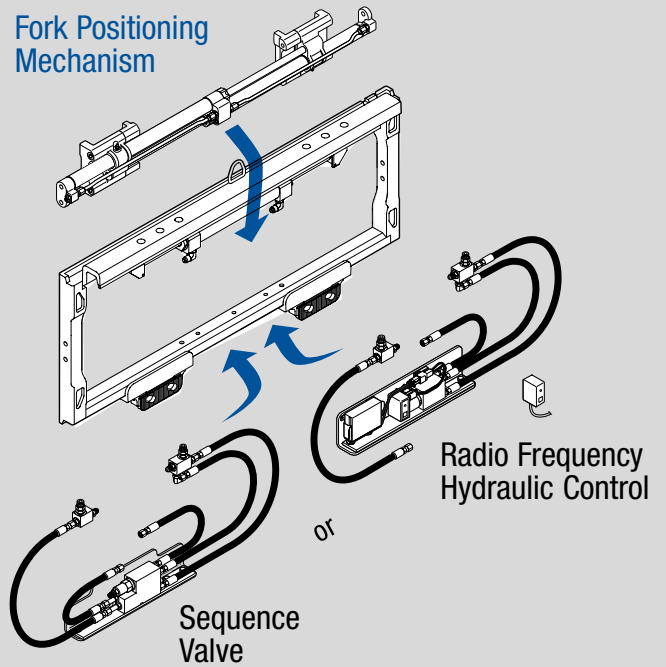
# Whatever the application, we can handle it.



## DID YOU KNOW...

*You can convert your Sideshifter to a Fork Positioner with just 9 bolts?*

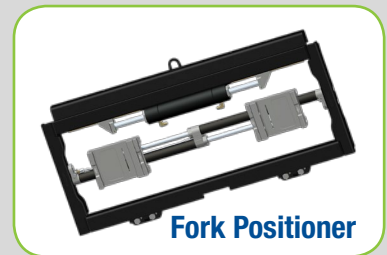
When you purchase a C-Series Integral or F-Series Hook-On Sideshifter from Cascade, not only are you getting the highest quality attachment available on the market today, but you are also getting the option to convert that same Sideshifter\* into a K-Series Fork Positioner for added functionality.



+



=



\*For all 55F/65F models under 51.2", 100F models under 55", and 120F/150F/165F models under 61".

Cascade Corporation • PO Box 20187 • Portland, OR 97294-0187 • USA • 800 CASCADE (227.2233) • Tel 503.669.6257 • Fax 800.693.3768 • Fax 503.669.6367  
Cascade Canada Ltd. • 5570 Timberlea Blvd. • Mississauga, Ontario L4W 4M6 • Canada • 800.380.2272 • Tel 905.629.7777 • Fax 905.629.7785

**cascade**  
corporation

www.cascorp.com