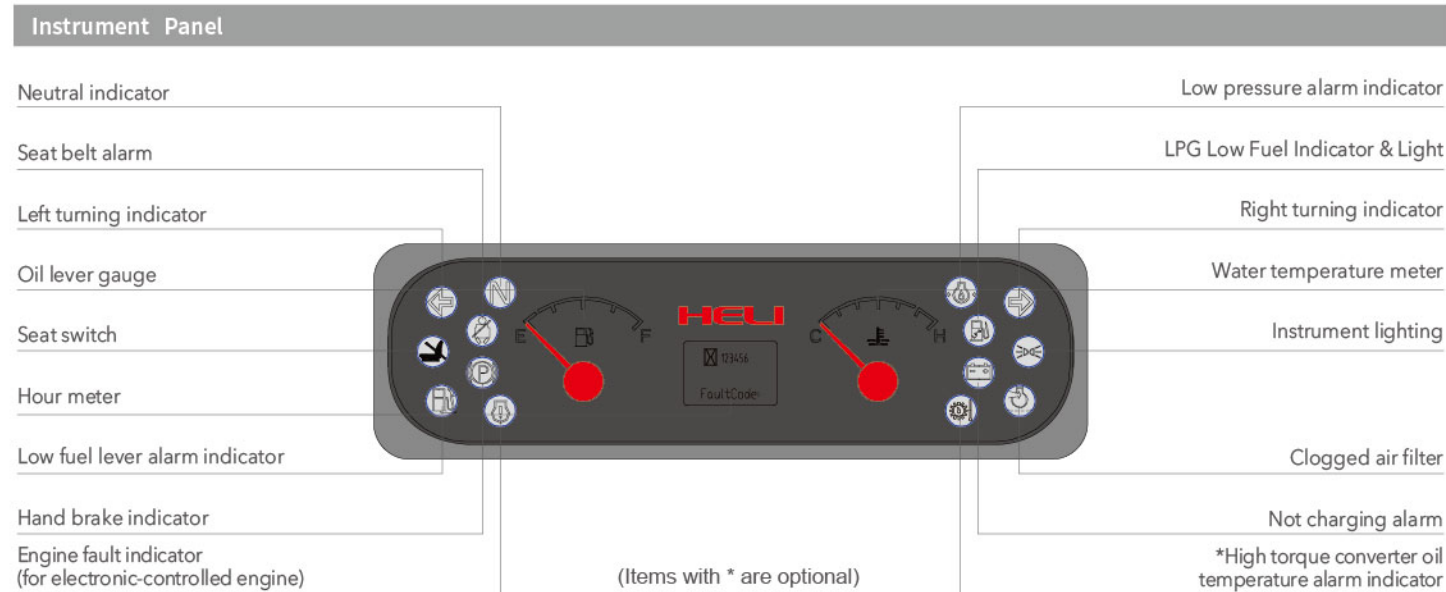
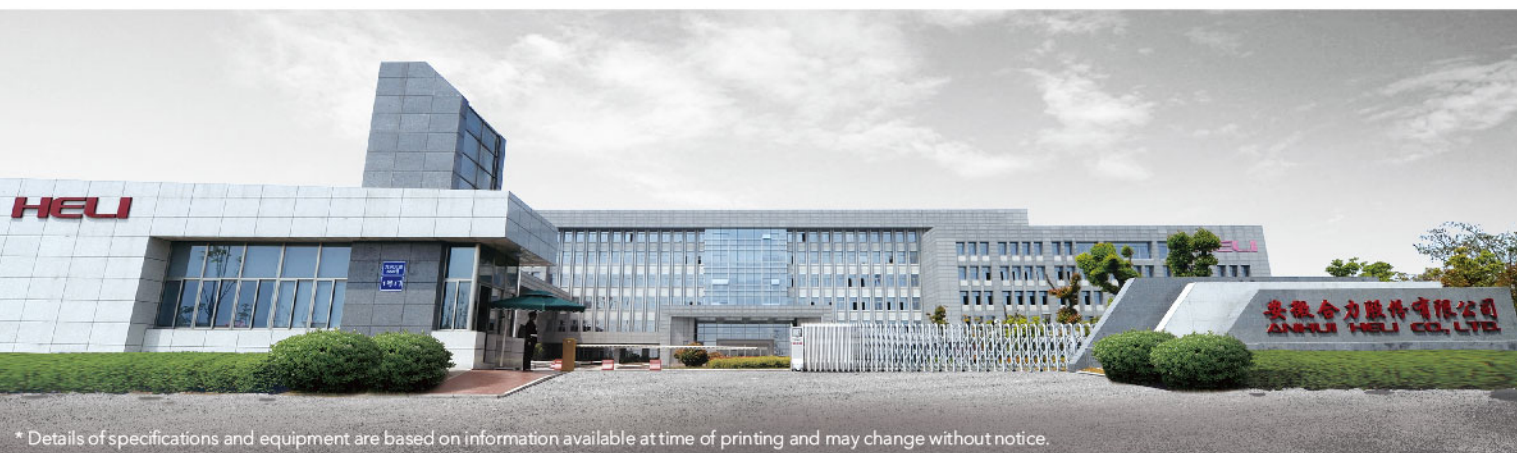


HELI



Reliable dashboard shows the truck's working condition, faults and other important information for convenient operator control

Standard configuration	Optional
Horn	LED Rotating Light
Two-spool control valve	Dual Air Filter
Basic type mast	Hydraulic Fork Positioner
Power steering	Bracket
Full-suspension seat	SAE hydraulic
Load backrest	Speed-limiting valve
Rear view mirror	Lifting and tilting operation lever
Rear grab handle with horn button	Tow pin
Wet brake	Overhead guard
Front combo lights (LED)	Combined display
Transmission oil filter	LPG Low Fuel Indicator
Rear combo lights (LED)	Travelling OPS control system
Back-up alarm	LED headlights
Overhead guard rain cover	



HELI AMERICA INC
 ADD: 4025 Welcome All Road, Suite 150 Atlanta, GA30349, U.S.A.
 E-MAIL: heli@heliforkliftamerica.com
 TEL: 404-242-3288

CATALOG NO. 211008 F-AM11 P101

HELI

8000-10000 lbs [4-5t]

H3C IC Cushion Tire Forklift CPYD40-50C



**TOP 10 FORKLIFT MANUFACTURER
 IN THE WORLD**

www.heliforkliftamerica.com

H3C SERIES CPYD 40-50C



Heli H3C Series Features Improved performance Superior quality

Ergonomics

- Vibration isolators separate the operator compartment from the main frame and the engine/transmission which absorb the truck's vibration for increased operator comfort.
- Engine performance and repositioned hydraulic pump offer quieter and smoother operation and less noise.
- Improved hydraulic control functions also reduce noise and increase performance.

Operator Comfort - Visibility

- Operator compartment has been enhanced by creating more foot and leg room with plenty of head room under the overhead guard.
- Visibility has been improved with narrower mast channels and more open overhead guard.
- Higher contrast LED display makes it easier to see in all lighting conditions.
- Comfortable suspension seat is standard with full adjustment for different operators.
- Low, wide step and grab handle make for easy entry to operator's compartment.
- Controls and park brake are within easy reach to reduce operator strain.
- Dual suspension structure of flexible connection between transmission box and drive axle and suspension connection between overhead guard and truck frame effectively reduce truck vibration.



Increased Productivity

- Smaller turning radius and hydraulic power steering makes for tighter turns and easier steering operation.
- Reliable powershift transmission relieves operator from constantly shifting transmission.
- H3C series hydraulic performance has been enhanced for maximum productivity.
- Ergonomically designed operator's compartment enhances operator productivity, as well as providing safety and comfort.

Improved Performance

- All aluminum radiator increases air flow and dissipates heat more efficiently.
- Smaller steering wheel with fewer turns lock-to-lock for quicker turns.
- 35% faster lifting speeds over previous generations Lifting cylinders are damped to reduce noise and provide smoother operation.
- Heavy duty powertrain offers exceptional performance in all applications.

Serviceability

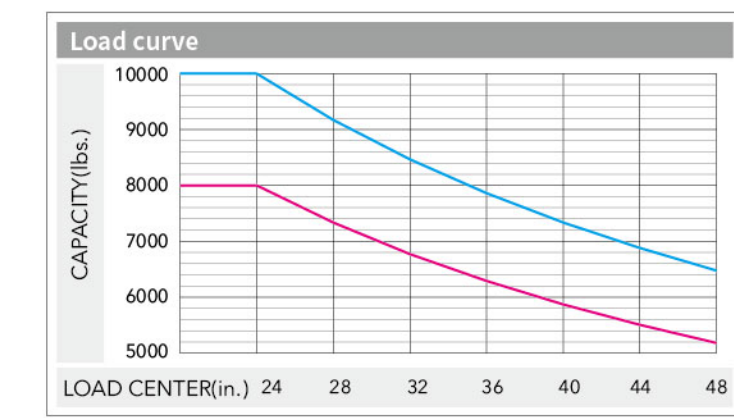
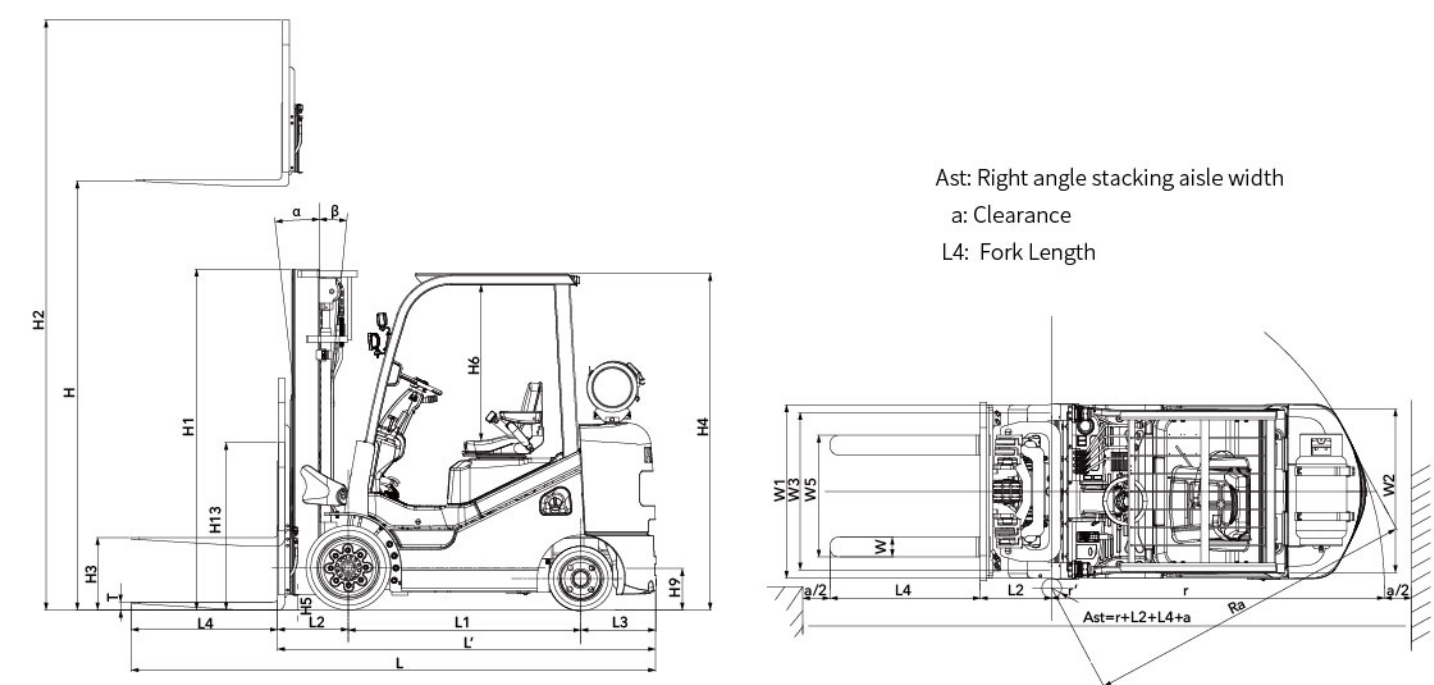
- Hood opens to an 80 degree angle and floor board is removable for easier access to all important chassis components.
- Electrical system, wiring, and hydraulic hoses are convenient and logically laid out with access from above and below.
- All grease points are accessible, including cast steel axle.
- Lubrication chart is located on front of operator compartment to highlight essential lubrication requirements.

Safety

- All Heli forklifts for North America meet ANSI B56.1 Safety Standard for Powered Industrial Trucks as well as meeting requirements for CE approval.
- All Heli forklifts come standard with Operator Presence System.
- Rear grab handle and horn button allows operator to safely drive in reverse.
- Strobes, Beacons or Blue Lights and Alarms are all available.

Manufacturers Data and Design Characteristics													
Character													
1.01	Manufacturer				HELI								
1.02	Model			CPYD40C			CPYD50C			CPYD40C BCS		CPYD50C BCS	
1.03	Rated capacity	lb	kg	8000	3500	10000	4500	8000	3500	10000	4500		
1.04	Load center	in	mm	24	610	24	610	24	610	24	610		
1.05	Operation mode	type	type	Seat-type									
Size													
2.01	Max.Lifting height	H	in	mm	130	3300	130	3300	130	3300	130	3300	
2.02	Mast overall height(fork to the ground and mast be vertical)	H1	in	mm	93.3	2370	93.3	2370	93.3	2370	93.3	2370	
2.03	Max.Fork lifting height(with backrest)	H2	in	mm	178.5	4533	178.5	4533	178.5	4533	178.5	4533	
2.04	Free lift height	H3	in	mm	5.9	150	5.9	150	5.9	150	5.9	150	
2.05	Overall height(overhead guard)	H4	in	mm	85.8	2180	85.8	2180	85.8	2180	85.8	2180	
2.06	Min.Groung clearance(at the mast)	H5	in	mm	4.3	110	4.3	110	4.3	110	4.3	110	
2.07	Distance from the surface of the seat to the overhead guard	H6	in	mm	40.9	1040	40.9	1040	40.9	1040	40.9	1040	
2.08	Traction pin height	H9	in	mm	11.2	285	11.2	285	11.2	285	11.2	285	
2.09	Backrest height(calculated from the surface of the fork)	H13	in	mm	47.6	1210	47.6	1210	47.6	1210	47.6	1210	
2.10	Overall length(with fork/without fork)	(L/L')	in	mm	153/105	3885/2665	157/109	3985/2765	153/105	3885/2665	157/109	3985/2765	
2.11	Wheel base	L1	in	mm	61.8	1570	61.8	1570	61.8	1570	61.8	1570	
2.12	Front overhang	L2	in	mm	20	515	20	515	20	515	20	515	
2.13	Rear overhang	L3	in	mm	24.2	614	27.2	690	18.9	480	22.0	560	
2.14	Overall width	W1	in	mm	50	1270	55.9	1420	50	1270	55.9	1420	
2.15	Tread (front tread/rear tread)	(W3/W2)	in	mm	41/41.1	1040/1043	43.9/41.1	1115/1043	41/41.1	1040/1043	43.9/41.1	1115/1043	
2.16	Fork adjustable range(the external of the fork)(max./min.)	W5	in	mm	47/12	1195/300	47/12	1195/300	47/12	1195/300	47/12	1195/300	
2.17	min.Turning radius(exterior)	r	in	mm	90.2	2290	94.5	2400	84.6	2150	88.2	2240	
2.19	Min.right angle aisle width	Ra	in	mm	91.7	2330	96.3	2445	86.2	2190	90.2	2290	
2.20	Mast tilting angle	α/β			6°/5°								
2.21	Fork size	L4×W×T	in	mm	48×5.9×1.97	1220×150×50	48×5.9×1.97	1220×150×50	48×5.9×1.97	1220×150×50	48×5.9×1.97	1220×150×50	
Performance													
3.01	Max.Traveling speed (loaded/unloaded)	mph	Km/h	10.5/11.2	19/19	10.5/11.2	19/19	10.5/11.2	19/19	10.5/11.2	19/19		
3.02	Lifting speed (loaded/unloaded)	fpm	mm/s	102/108	520/550	98.4/102	500/520	102/108	520/550	98.4/102	500/520		
3.03	Lowing speed (loaded/unloaded)	fpm	mm/s	104.3/94.4	530/480	104.3/94.4	530/480	104.3/94.4	530/480	104.3/94.4	530/480		
3.04	max.Drawbar pull (loaded/unloaded)	kN	kN	46/15	46/15	45/14	45/14	46/16	46/16	45/15	45/15		
3.05	Max.Gradeability (loaded/unloaded)	%	%	37/18	37/18	36/15	36/15	37/20	37/20	35/18	35/18		
Weight													
4.01	Total weight	lb	kg	13435	6095	15290	6935	13790	6255	15810	7170		
4.02	Weight distribution loaded (front/rear)	lb	kg	18300/2855	8300/1295	21560/3650	9780/1655	18760/2755	8510/1250	22145/3585	10045/1625		
4.03	Weight distribution unloaded (front/rear)	lb	kg	5025/8410	2280/3815	4510/10790	2045/4895	5490/8310	2490/3770	5090/10725	2310/4865		
Wheel and tyre													
5.01	Wheel number x = drive wheel (front/rear)			2X/2									
5.02	Tyre type(front/rear)	type	type	Cushion tyre									
5.03	Tyre size(front/rear)	in	in	22x9-16/18x8-12.125			22x12-16/18x8-12.125			22x9-16/18x8-12.125			
5.04	Service brake	type	type	Hydraulic-Foot Pedal									
5.05	Parking brake	type	type	Mechanical-Hand Lever									

Engine Model and Specification												
Model				CPYD40C	CPYD50C	CPYD40C BCS	CPYD50C BCS					
Engine type				LPG				LPG				
Battery(Voltage/Capacity)	V/Ah	V/Ah		12/80				12/80				
Engine mode				WG3800				WG3800				
Engine rated power	HP/rpm	KW/rpm		84.8/2400	63.2/2400	84.8/2400	63.2/2400					
Engine rated torque	(ft*lb)/rpm	Nm/rpm		208.3/1200	282.4/1200	208.3/1200	282.4/1200					
Engine cylinder number-bore x stroke				4-100×120				4-100×120				
Piston displacement	cu in	L		230.1	3.77	230.1	3.77					
Engine Emissions				Certified				Certified				
Transmission box shifting gears(front/rear type)	type	type		1-1Power Shift T/M				1-1Power Shift T/M				



Note: The vertical axis stands for load capacity and the horizontal axis stands for load center which is calculated from the front of the fork. The base point of the standard load refers to the center position of the cube with 39.37in length of side. When mast is tilted forward, nonstandard fork usage or load with over wide goods, load capacity will be reduced. Different load capacity in different load center can be known in time through load chart.

WIDE VIEW MAST															
Mast Model	Max lifting height		Capacity (load center 610mm)				Overall Height		Freelift (With Backrest)		Tilt Range	Service Weight(unload)			
			CPYD40C		CPYD50C		CPYD40/50C		CPYD40/50C			CPYD40C		CPYD50C	
	in	mm	lb	kg	lb	kg	in	mm	in	mm		lb	kg	lb	kg
M250	99	2500	8000	3500	10000	4500	74.4	1890	5.9	150	6/5	13757	6240	15653	7100
M300	118	3000	8000	3500	10000	4500	84.3	2140	5.9	150	6/5	13867	6290	15763	7150
M330	130	3300	8000	3500	10000	4500	90.2	2290	5.9	150	6/5	13977	6340	15873	7200
M350	138	3500	8000	3500	10000	4500	94.1	2390	5.9	150	6/5	14021	6360	15917	7220
M370	146	3700	8000	3500	10000	4500	98.0	2490	5.9	150	6/5	14088	6390	15984	7250
M400	157.5	4000	8000	3500	10000	4500	105.9	2690	5.9	150	6/5	14330	6500	16226	7360
M425	167	4250	8000	3500	9500	4300	110.8	2815	5.9	150	6/5	14396	6530	16292	7390
M450	177	4500	7800	3530	9200	4150	115.7	2940	5.9	150	6/5	14462	6560	16358	7420
M475	187	4750	7600	3450	8800	4000	120.7	3065	5.9	150	6/5	14528	6590	16424	7450
M500	195	5000	7400	3350	8000	3600	125.6	3190	5.9	150	3/5	14595	6620	16491	7480
M550	216.5	5500	7000	3150	7100	3200	137.4	3490	5.9	150	3/5	14914	6765	16810	7625
M600	236	6000	6400	2900	6600	3000	147.2	3740	5.9	150	3/5	15036	6820	16932	7680

Note:Free lift height (without backrest)+275mm.

WIDE VIEW FULL FREE 3-STAGE MAST															
Mast Model	Max lifting height		Capacity (load center 610mm)				Overall Height		Freelift (With Backrest)		Tilt Range	Service Weight(unload)			
			CPYD40C		CPYD50C		CPYD40/50C		CPYD40/50C			CPYD40C		CPYD50C	
	in	mm	lb	kg	lb	kg	in	mm	in	mm		lb	kg	lb	kg
ZSM360	141.5	3600	8000	3500	10000	4500	77.6	1970	29.9	760	6/5	14088	6390	15984	7250
ZSM400	157.5	4000	8000	3500	10000	4500	83.1	2110	35.4	900	6/5	14198	6440	16094	7300
ZSM435	171.5	4350	8000	3500	10000	4500	87.4	2220	39.8	1010	6/5	14264	6470	16160	7330
ZSM450	177	4500	8000	3500	10000	4500	89.4	2270	41.7	1060	6/5	14308	6490	16204	7350
ZSM470	185	4700	7600	3450	9300	4200	91.9	2335	44.3	1125	6/5	14352	6510	16248	7370
ZSM500	197	5000	7400	3350	8000	3500	97.2	2470	49.6	1260	3/5	14462	6560	16358	7420
ZSM540	212.5	5400	7300	3300	7600	3450	102.6	2605	54.9	1395	3/5	14749	6690	16645	7550
ZSM600	236	6000	6500	2950	6700	3040	111.8	2840	64.2	1630	3/5	14947	6780	16843	7640

Note:Free lift height (without backrest)+275mm.