



# MATERIAL HANDLING PRODUCTS



One Million Square Feet  
of Production Facilities



*Bendi*®

**B40i5**

**ANYTHING ELSE** is a **WASTE** of **SPACE!**

# Bendi®

## STANDARD FEATURES

- 4,000 lb. (1,814kg) Capacity at 24" (610mm) Load Center
- Tier III Certified, LP Gas, 2.5L, Kubota Industrial Engine
- Gear Driven Valve Train - No Belts or Chains
- CAN-Bus Electronics for Integrated Control of Drive, Lift and Engine
- Simplified Maintenance, Diagnostics and Calibration through Dash Display
- Dash Display with Hour Meter, Fuel Gauge and Engine Monitoring
- Via-Sonic Fuel Level Sensor with 99.5% Accuracy
- Heavy Duty Dual Rear Wheel Hydraulic Motors
- Automatic Hydrostatic Braking and Foot Activated Hydraulic Parking Brake
- Lift Heights to 360" (9.14M)
- 78" (1.98M) Stacking Aisle with 48" (1,219mm) Long Load
- High Visibility 3-Stage or 4-Stage Mast
- Integral 11.2" (285mm) Stroke Sideshifter and 36" (914mm) High Load Backrest
- Indoor / Outdoor Capability
- Articulated 42" (1,067mm) Wide Floating Front Axle
- Large Diameter Smooth Rubber Drive Tires
- Polyurethane Load Tires
- 180° Front-End "DuraSteer" Articulation / Steering Assembly with Extended Warranty
- Comfortable Seated Operation with All Truck Controls within Easy Reach
- Adjustable Vinyl Suspension Swivel Seat
- Armrest and Adjustable Steering Column, Key Switch, Horn and Seat Belt
- Hydraulic Power Steering
- 4-Post Heavy-Duty Adjustable Overhead Guard, Meets ANSI B56.1
- Safety Deadman Seat Switch
- Heavy Duty Unitized Robotic Welded Chassis Design
- Provisions for RF Terminals Provided
- Accepts Class II Attachments
- Easily Accessible Components for Low Cost Maintenance



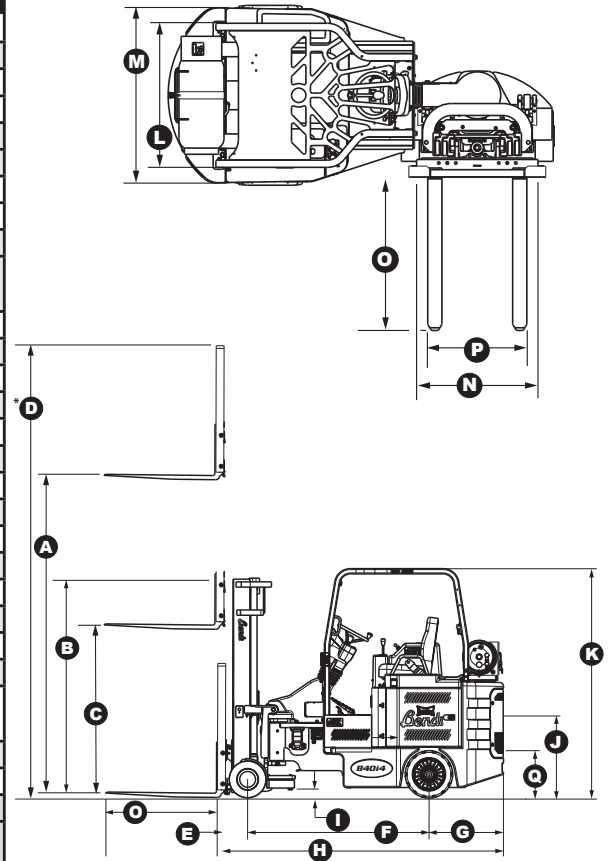
Scan the QR Code  
to Learn More!

# B40i5

## 4-Wheel Heavy Capacity LP Gas Engine Powered Multi-Purpose Articulated Forklift

### TECHNICAL DATA

| MODEL                       |   |   | B40i5                    |
|-----------------------------|---|---|--------------------------|
| Capacity                    |   | at 24" (600mm) Load Center              | lbs/kg 4,000 / 1,814     |
| Truck Weight                |   | with Battery                            | lbs/kg 13,700 / 6,214    |
| Travel Speed                | Loaded                                    |   | mph/kph 8 / 13           |
|                             | Unloaded                                  |   | mph/kph 8 / 13           |
| Lift Speed                  | Loaded                                    |   | fpm/mpm 90 / 27.4        |
|                             | Unloaded                                  |   | fpm/mpm 100 / 30.5       |
| Lowering Speed              | Loaded                                    |   | fpm/mpm 100 / 30.5       |
|                             | Unloaded                                  |   | fpm/mpm 90 / 27.4        |
| Mast Tilt                   | Fwd / Back - Up to 293" (7.44M)           |   | deg 3 / 3                |
|                             | Fwd / Back - 294" (7.45M) to 360" (9.14M) |   | deg 1 / 2                |
| HP Rating                   |   | LP Gas Engine at 2,600 RPM              | HP 61.7                  |
| Lost Load Center            | E   |   | in/cm 12 / 30.5          |
| Wheelbase                   | F   |   | in/cm 69 / 175.25        |
| Rear Overhang               | G   |   | in/cm 28 / 71            |
| Overall Length to Fork Face | H   |   | in/cm 109 / 277          |
| Axle Underclearance         | I   |   | in/cm 3.7 / 9.4          |
| Operator Floor Height       | J   |   | in/cm 33.5 / 85          |
| Overhead Guard Height       | K   |   | in/cm 87 / 221           |
| Overhead Guard Width        | L   |   | in/cm 40 / 101.5         |
| Overall Width               | M   |   | in/cm 49 / 124.5         |
| Fork Carriage Width         | N   |   | in/cm 37 / 94            |
| Fork Length                 | O   |   | in/cm 40 / 101.5         |
| Out to Out Fork Spread      | P   | Minimum / Maximum                       | in/cm 9.4-37 / 24-94     |
| Intermediate Step Height    | Q   |   | in/cm 19 / 48            |
| Right Angle Stacking Aisle  |   | with 48"L x 40"W (1200mm x 1000mm) Load | in/cm 78 / 198           |
| Intersecting Aisle          |   |   | in/cm 114 / 289          |
| Gradeability                |   | Loaded / Unloaded                       | % 15 / 15                |
| Wheel Sizes                 |   | Front 2 Each Poly-Dia. x Face           | in/cm 14x5 / 36x13       |
|                             |   | Rear 2 Each Rubber-Dia. x Face          | in/cm 18x7x12 / 46x18x30 |
| Straddle Clearance          |   |   | in/cm 2.5 / 6.4          |



### MAST DIMENSIONS

| LIFT HEIGHT (A)       |      | LOWERED HEIGHT (B) |      | *FREE LIFT (C) |      | **OVERALL HEIGHT (D) |       |
|-----------------------|------|--------------------|------|----------------|------|----------------------|-------|
| In                    | M    | In                 | M    | In             | M    | In                   | M     |
| Triple (3 Stage) Mast |      |                    |      |                |      |                      |       |
| 188                   | 4.78 | 83                 | 2.11 | 47             | 1.19 | 224                  | 5.69  |
| 198                   | 5.03 | 87                 | 2.21 | 51             | 1.30 | 234                  | 5.94  |
| 216                   | 5.49 | 95                 | 2.41 | 59             | 1.50 | 252                  | 6.40  |
| 224                   | 5.69 | 98                 | 2.49 | 62             | 1.57 | 260                  | 6.60  |
| 240                   | 6.10 | 106                | 2.69 | 70             | 1.78 | 276                  | 7.01  |
| 258                   | 6.55 | 115                | 2.92 | 79             | 2.01 | 294                  | 7.47  |
| 272                   | 6.91 | 121                | 3.07 | 85             | 2.16 | 308                  | 7.82  |
| 294                   | 7.47 | 128                | 3.25 | 92             | 2.34 | 330                  | 8.38  |
| 312                   | 7.92 | 132                | 3.35 | 96             | 2.44 | 348                  | 8.84  |
| 322                   | 8.18 | 137                | 3.48 | 101            | 2.57 | 358                  | 9.09  |
| 360                   | 9.14 | 156                | 3.96 | 120            | 3.05 | 396                  | 10.06 |

| LIFT HEIGHT (A)   |      | LOWERED HEIGHT (B) |      | *FREE LIFT (C) |      | **OVERALL HEIGHT (D) |      |
|---|------|--------------------|------|----------------|------|----------------------|------|
| In  | M    | In                 | M    | In             | M    | In                   | M    |
| Quad (4 Stage) Mast                                       |      |                    |      |                |      |                      |      |
| 250   | 6.35 | 87                 | 2.21 | 51             | 1.30 | 286                  | 7.26 |
| 258   | 6.55 | 89                 | 2.26 | 53             | 1.35 | 294                  | 7.47 |
| 276   | 7.01 | 95                 | 2.41 | 59             | 1.50 | 312                  | 7.92 |
| 294   | 7.47 | 101                | 2.57 | 65             | 1.65 | 330                  | 8.38 |
| 312   | 7.92 | 107                | 2.72 | 71             | 1.80 | 348                  | 8.84 |
| * Free Lift Based on 36" (914mm) High Load Backrest       |      |                    |      |                |      |                      |      |
| ** Overall Height Based on 36" (914mm) High Load Backrest |      |                    |      |                |      |                      |      |

### AISLE DIMENSIONS

| LOAD DEPTH X WIDTH           | MINIMUM CLEAR AISLE |
|------------------------------|---------------------|
| 40" x 48" (1,000 x 1,200 mm) | 72" (1,828 mm)      |
| 48" x 40" (1,200 x 1,000 mm) | 78" (1,981 mm)      |
| Transfer or End Aisle        | 114" (2,895 mm)     |

Landoll continuously improves products. We reserve the right to make any changes in illustrations, specifications, equipment, and prices without prior notice and without changes on previous models.

# QUALITY IS OUR FIRST PRIORITY



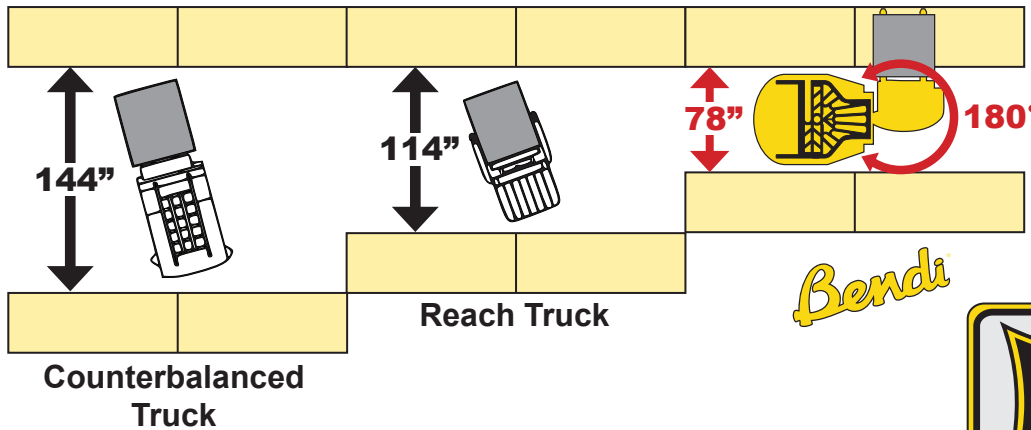
## Exceptional Customer Support, Parts and Service

Landoll is committed to total customer satisfaction by providing products and services of the highest quality. Aftermarket parts and service is available world-wide through our factory trained dealer network and Landoll's service support department. Our 75,000 square foot Parts Distribution Center ensures quick and accurate delivery of parts to keep your equipment up and running. Experience for yourself the reason that Landoll Material Handling Products are #1 in customer retention.

## Proven Solutions for Storage & Specialty Handling Applications

Family owned and operated since 1963, we make quality our first priority. Our goal is to provide the best solution for your material handling needs. Bendi articulating, Drexel SwingMast® Narrow Aisle and Very Narrow Aisle forklifts provide that solution. Through increased utilization of space, improved productivity, greater flexibility and maximized efficiency. We stay on the edge of modern and innovative technology. We know that for our customers "Quality is Always a Bargain".

## FORKLIFT AISLE COMPARISON



**Bendi Narrow Aisle Forklifts** save on warehouse space by **20%** compared to a reach truck and by **36%** compared to a counterbalanced truck.



## MATERIAL HANDLING PRODUCTS

[landoll.com/mhp](http://landoll.com/mhp)

1900 North Street Marysville, KS 66508 · 800-428-5655 · [forkliftsales@landoll.com](mailto:forkliftsales@landoll.com)

